

Alabama Steel Supply, Inc.

2 West Blvd Montgomery, AL 36108
(334) 834-1505 (334) 834-7777 (fax)

BUILDING LOADS / DESCRIPTION:

WIDTH: 40 LENGTH: 60 HEIGHT: 16 / 16
(BUILDING DIMENSIONS ARE NOMINAL. REFER TO PLANS).

THIS STRUCTURE IS DESIGNED UTILIZING THE LOADS INDICATED AND APPLIED AS REQUIRED BY : IBC 15 / IBC 15

THE CONTRACTOR IS TO CONFIRM THAT THESE LOADS COMPLY WITH THE REQUIREMENTS OF THE LOCAL BUILDING DEPARTMENT.

ROOF DEAD LOAD:	2.000	PSF (ROOF PANELS & PURLINS)
COLLATERAL LOAD:	1	PSF
ROOF LIVE LOAD:	20.00	PSF
ROOF SNOW LOAD:	4.2	PSF
BASIC WIND SPEED:	120	MPH
SEISMIC ZONE:	C	
WIND EXPOSURE:	B	

IMPORTANCE FACTORS:

WIND LOAD:	---	1.00
SNOW LOAD	---	1.2000
SEISMIC LOAD	---	1.50

GENERAL NOTES:

- MATERIALS :**
HOT ROLLED BAR
STRUCTURAL STEEL SHEET
STRUCTURAL STEEL PLATE
COLD FORMED SHAPES
WALL SHEETING
ROOF SHEETING
BOLTS
A307 & A325
THE METAL BUILDING MANUFACTURER RESERVES THE RIGHT TO SUBSTITUTE THE ABOVE MATERIALS WITH EQUAL OR BETTER MATERIAL.
- BOLT TIGHTENING REQUIREMENTS:**
ALL HIGH STRENGTH BOLTS ARE A325 UNLESS NOTED OTHERWISE. HIGH STRENGTH BOLTS SHALL BE TIGHTENED BY THE TURN OF THE NUT METHOD IN ACCORDANCE WITH THE LATEST EDITION AISC "SPECIFICATION FOR STRUCTURAL JOINTS USING ASTM A325 OR A490 BOLTS". A325 BOLTS SHALL BE INSTALLED WITH OUT WASHERS WHEN TIGHTENED BY THE "TURN OF THE NUT" METHOD. ALL BOLTED CONNECTIONS, FOR SHEAR/BEARING CONNECTION TYPE WITH BOLT THREADS EXCLUDED FROM THE SHEAR PLANE SHALL BE SNUG TIGHT ONLY.
- ALL STRUCTURAL STEEL TO RECEIVE A RUST INHIBITIVE PRIMER. THIS PAINT IS NOT INTENDED FOR LONG TERM EXPOSURE TO THE ELEMENTS.

MINIMUM YIELD:

FY =	50.0000	ksi	MIN.
FY =	50.0000	ksi	MIN.
FY =	50.0000	ksi	MIN.
FY =	57.0000	ksi	MIN.
FY =	60.0000	ksi	MIN.
FY =	60.0000	ksi	MIN.

ROOF PANELS:

TYPE: PBR HIGH RIB GAGE: 26 COLOR: Galvalume Plus

WALL PANELS:

TYPE: PBR HIGH RIB GAGE: 26 COLOR: Need Sill Poly Color

LINER PANELS:

TYPE: N/A GAGE: N/A COLOR: N/A

TRIM COLORS:

RAKE: Need Sill Poly Color
 EAVE: Need Sill Poly Color
 CORNER: Need Sill Poly Color
 FRAMED OPENINGS: Need Sill Poly Color
 BASE: Need Sill Poly Color
 LINER: N/A

DEFLECTION LIMITS:

EW COL:	180
EW RAF LIVE:	180
EW RAF WIND:	180
WALL GIRT:	90
PURL LIVE:	180
PURL WIND:	150
WALL PANEL:	60
ROOF PANEL LIVE:	60
ROOF PANEL WIND:	60
RF HORIZONTAL:	60
RF VERTICAL:	180
WIND BENT:	60
RF CRANE:	100
RF SEIS:	100
WIND BENT SEIS:	100

BUILDER / CONTRACTOR RESPONSIBILITIES

IT IS THE RESPONSIBILITY OF THE BUILDER/CONTRACTOR TO INSURE THAT ALL PROJECT PLANS AND SPECIFICATIONS COMPLY WITH THE APPLICABLE REQUIREMENTS OF ANY GOVERNING BUILDING AUTHORITIES. THE SUPPLYING OF SEALED ENGINEERING DATA AND DRAWINGS FOR THE METAL BUILDING SYSTEM DOES NOT IMPLY OR CONSTITUTE AN AGREEMENT THAT THE METAL BUILDING SYSTEM MANUFACTURER OR ITS DESIGN ENGINEER IS ACTING AS THE ENGINEER OF RECORD OR DESIGN PROFESSIONAL FOR A CONSTRUCTION PROJECT. THE CONTRACTOR MUST SECURE ALL REQUIRED APPROVALS AND PERMITS FROM THE APPROPRIATE AGENCY AS REQUIRED. APPROVAL OF THE METAL BUILDING SYSTEM MANUFACTURER'S DRAWINGS AND CALCULATIONS INDICATE THAT THE METAL BUILDING SYSTEM MANUFACTURER CORRECTLY INTERPRETED AND APPLIED THE REQUIREMENTS OF THE CONTRACT DRAWINGS AND SPECIFICATIONS. (SECT. 4.2.1 AISC CODE OF STANDARD PRACTICES, 9TH ED.) WHERE DISCREPANCIES EXIST BETWEEN THE METAL BUILDING SYSTEM MANUFACTURER'S STRUCTURAL STEEL PLANS AND THE PLANS FOR OTHER TRADES, THE STRUCTURAL STEEL PLANS SHALL GOVERN. (SECT. 3.3 AISC CODE OF STANDARD PRACTICE 9TH ED.) DESIGN CONSIDERATIONS OF ANY MATERIALS IN THE STRUCTURE WHICH ARE NOT FURNISHED BY THE METAL BUILDING SYSTEM MANUFACTURER ARE THE RESPONSIBILITY OF THE CONTRACTORS AND ENGINEERS OTHER THAN THE METAL BUILDING SYSTEM MANUFACTURER'S ENGINEER UNLESS SPECIFICALLY INDICATED.

THE CONTRACTOR IS RESPONSIBLE FOR ALL ERECTION OF STEEL AND ASSOCIATED WORK IN COMPLIANCE WITH THE METAL BUILDING SYSTEM MANUFACTURER "FOR CONSTRUCTION" DRAWINGS. ALL BRACING AS SHOWN AND PROVIDED BY THE METAL BUILDING SYSTEM MANUFACTURER FOR THIS BUILDING IS REQUIRED AND SHALL BE INSTALLED BY THE ERECTOR AS A PERMANENT PART OF THE STRUCTURE.

TEMPORARY SUPPORTS, SUCH AS TEMPORARY GUYS, BRACES, FALSE WORK, CRIBBING OR OTHER ELEMENTS REQUIRED FOR THE ERECTION OPERATION WILL BE DETERMINED AND FURNISHED AND INSTALLED BY THE ERECTOR. THESE TEMPORARY SUPPORTS WILL SECURE THE STEEL FRAMING, OR ANY PARTLY ASSEMBLED STEEL FRAMING, AGAINST LOADS COMPARABLE

IN INTENSITY TO THOSE FOR WHICH THE STRUCTURE WAS DESIGNED, RESULTING FROM WIND, SEISMIC FORCES AND ERECTION OPERATIONS, BUT NOT THE LOADS RESULTING FROM THE PERFORMANCE OF WORK BY OR THE ACTS OF OTHERS, NOR SUCH UNPREDICTABLE LOADS AS THOSE DUE TO TORNADO, EXPLOSION, OR COLLISION. (SECT. 7.9.1 AISC CODE OF STANDARD PRACTICE, 9TH ED.)

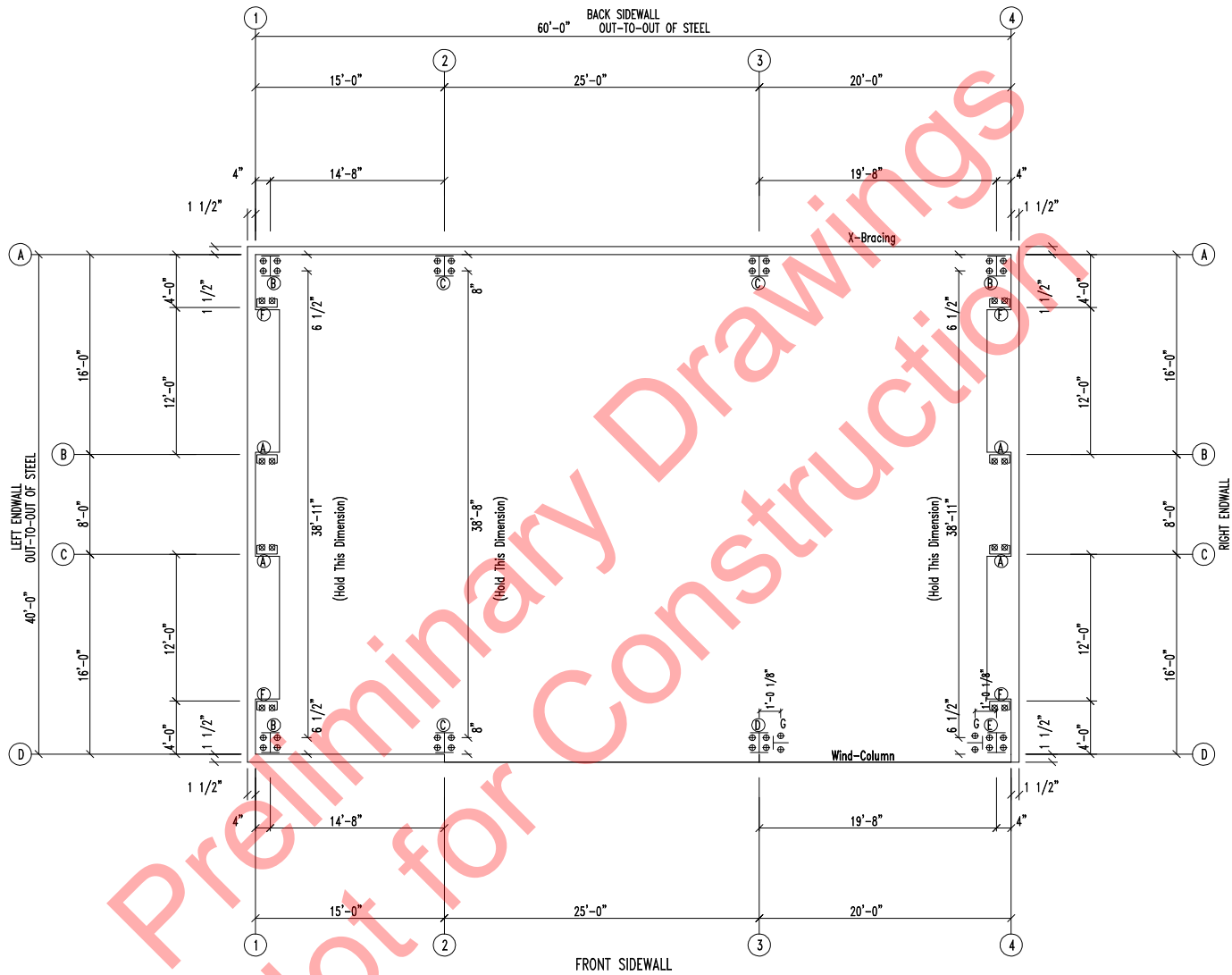
WARNING : IN NO CASE SHOULD GALVALUME STEEL PANELS BE USED IN CONJUNCTION WITH LEAD OR COPPER. BOTH LEAD AND COPPER HAVE HARMFUL CORROSION EFFECTS ON THE ALUMINUM ZINC ALLOY COATING WHEN THEY ARE USED IN CONTACT WITH GALVALUME STEEL PANELS. EVEN RUN-OFF FROM COPPER FLASHING, WIRING, OR TUBING ONTO GALVALUME SHOULD BE AVOIDED.

ERECTOR NOTE: PANEL BUNDLES MUST BE HANDLED WITH CARE!!! USE A SPREADER BAR FOR HANDLING. ALSSI IS NOT RESPONSIBLE FOR MATERIALS DAMAGED ONSITE. STORE PANELS WHERE MOISTURE CAN PROPERLY DRAIN. ALSSI WILL NOT WARRANT PANELS THAT HAVE BEEN STORED WHERE MOISTURE CAN BE CAPTURED BETWEEN PANELS THAT ARE BUNDLED.

CORRECTION OF MINOR MISFITS IN THE FIELD IS CONSIDERED NORMAL AND IS NOT SUBJECT TO BACKCHARGE. MAJOR CORRECTIVE WORK MUST BE AUTHORIZED IN ADVANCED BY THE ENGINEERING DEPARTMENT OF ALABAMA STEEL SUPPLY. REQUEST TO PERFORM CORRECTIVE WORK MUST BE SUBMITTED IN WRITING ALONG WITH PHOTOS AND A DESCRIPTION OF THE MODIFICATION THAT IS BEING REQUESTED. NO BACK CHARGE WILL BE PAID THAT IS NOT AUTHORIZED IN ADVANCED BY ALSSI.


INDEX OF SHEETS		
PAGE	DESCRIPTION	REV
C1	TITLE SHEET	0
AB1	ANCHOR BOLT PLAN	0
AB2	ANCHOR BOLT DETAILS	0
AB3	ANCHOR BOLT REACTIONS	0
E1		0
E2		0
E3		0
E4		0
E5		0
E6		0
E7		0
E8		0
E9		0
E10		0
E11		0
E12		0
E13		0
E14		0

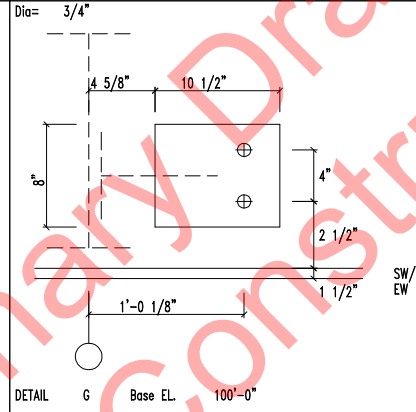
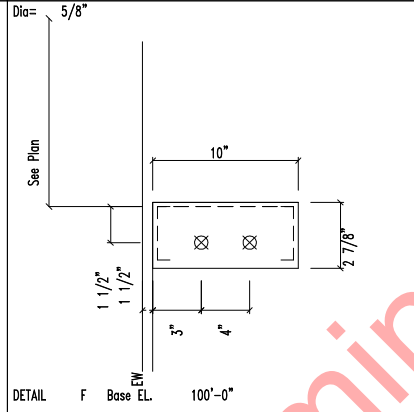
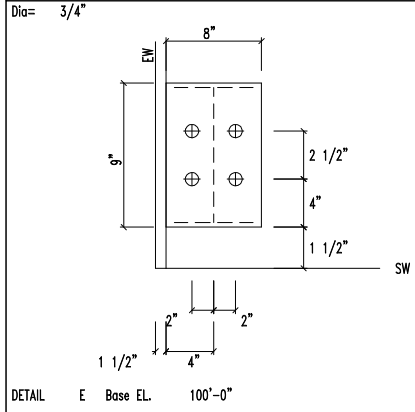
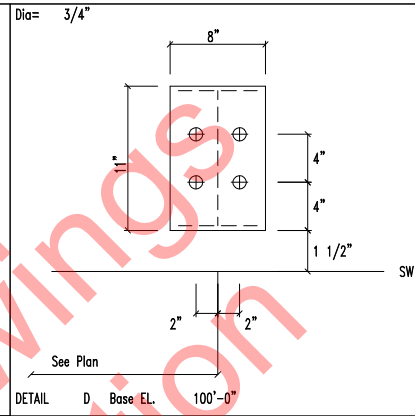
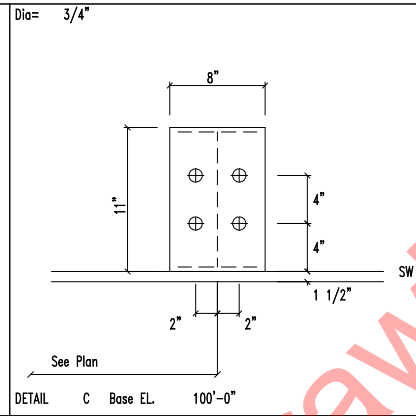
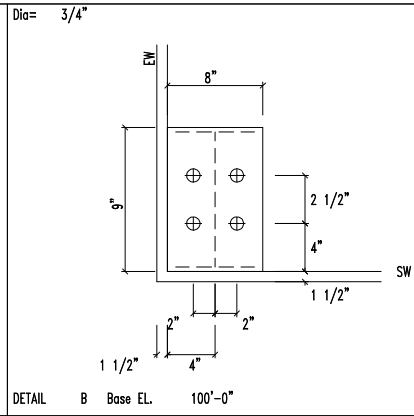
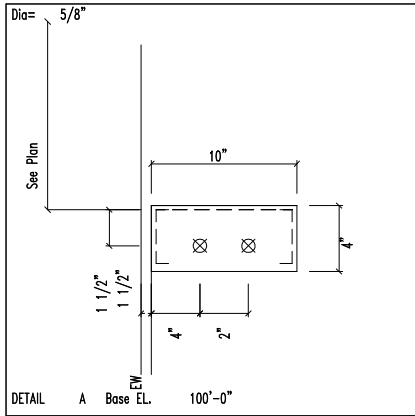
						DESCRIPTION: JOB COVER SHEET		
						CUSTOMER: CITY OF ALEXANDER CITY	PROJECT: ALEXANDER CITY FIRE DEPT	
						LOCATION: ALEXANDER CITY AL 35010		
						SCALE	JOB NO.	SHEET NO.
						N.T.S.	PH20-409A	AL-RC1 OF 1
△	2/14/23	ISSUED FOR XXXXXXXXX	PH	PH				
REV.	DATE	REVISION	DRN. BY	CK'D BY				




ANCHOR BOLT PLAN
 NOTE: All Base Plates @ 100'-0" (U.N.)

Preliminary Drawings
Not for Construction

 Alabama Steel Supply, Inc. <small>2 West Blvd Montgomery, AL 36108 (334) 834-1906 (334) 834-7777 (Fax)</small>	DESCRIPTION: ANCHOR BOLT PLAN	
	CUSTOMER: CITY OF ALEXANDER CITY	PROJECT: ALEXANDER CITY FIRE DEPT
	LOCATION: ALEXANDER CITY AL 35010	
	DRN. BY: PH	CK'D BY: PH
SCALE: N.T.S.	REV. 00	QUOTATION NO. PH20-409AL-R1AB1
		SHEET NO. OF AB3



Preliminary Drawings
Not for Construction

 Alabama Steel Supply, Inc. <small>2 West Blvd Montgomery, AL 36108 (554) 854-1906 (554) 854-7777 (Fax)</small>		DESCRIPTION: ANCHOR BOLT DETAILS						
		CUSTOMER: CITY OF ALEXANDER CITY	PROJECT: ALEXANDER CITY FIRE DEPT					
LOCATION: ALEXANDER CITY AL 35010		DRN. BY: PH	CK'D BY: PH	DATE: 2/14/23	SCALE: N.T.S.	REV. 00	QUOTATION NO. PH20-409AL-R1A2	SHEET NO. OF AB3

NOTES FOR REACTIONS

- All loading conditions are assumed and only maximum/minimum H or V and the corresponding H or V are reported.
- Reaction reactions are as shown in the sketch. Foundation loads are in opposite directions.
- Reaction reactions are in the plane of the brace with the H pointing away from the braced bay. The vertical reaction is downward.
- Building reactions are based on the following building code:
 - Width (ft) = 40.0
 - Length (ft) = 80.0
 - Clear Height (ft) = 18.0/ 18.0
 - Roof Snow (lb/ft²) = 2.0/ 2.0
 - Roof Load (psf) = 2.0
 - Column Load (psf) = 2.0
 - Roof Live Load (psf) = 20.0
 - Frame Live Load (psf) = 12.0
 - Wind (psf) = 15.0
 - Seismic (psf) = 15.0
 - Wind Speed (mph) = 120.0
 - Wind Code = RC 15
 - Exposure = 2
 - Class/Open = 2
 - Importance Wind = 1.00
 - Importance Seismic = 1.00
 - Seismic Coef (F_{ps}) = 0.27

5. Loading conditions are:

- Dead+Column+Wind
- Dead+Column+0.75Live+0.45Wind_Lat
- Dead+Column+0.75Live+0.45Wind_Right
- Dead+Column+0.75Live+0.45Wind_Long
- 0.6Wind+0.6Wind_Lat
- 0.6Wind+0.6Wind_Right
- 0.6Wind+0.6Wind_Long
- 0.6Wind+0.6Wind_Lat
- 0.6Wind+0.6Wind_Right
- 0.6Wind+0.6Wind_Long
- 0.6Wind+0.6Wind_Right+0.65Seismic_Long
- 0.6Wind+0.6Wind_Right+0.65Seismic_Short
- 0.6Wind+0.6Wind_Pressure+0.6Wind_Long
- 0.6Wind+0.6Wind_Pressure+0.6Wind_Short

GENERAL NOTES

It is the responsibility of the end user to verify that the loads shown meet local requirements and are adequate for the intended use of the building. A.S.S. Alabama Steel Supply, Inc. does not serve as the Engineer of Record.

ALABAMA STEEL SUPPLY, INC IS NOT RESPONSIBLE FOR FIT OF FRAMING STEEL TO RESISTANCE WEDGE ANCHOR BOLTS NOT SET IN THE EXACT LOCATIONS SHOWN ON THESE DRAWINGS.

BUILDING BRACING REACTIONS

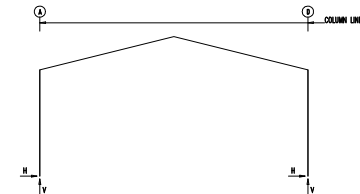
Loc	Line	Col Line	B. Reaction(s)			Panel Shear (k/ft)		
			Wind	Seismic	Wind	Seismic	Wind	Seismic
L-W	1							
F_SW	D	3						
R-W	A	4						
R-SW	A	4.5	3.1	2.2	0.7	0.5		

WIND COLUMN REACTIONS

Loc	Line	Col Line	R/L	Wind Dir	# Reaction	Horz (k)	Vert (k)	Moment (k-ft)	Anchor Qty	Dis	Width	Base Plate(s)	Thick
F_SW	D	3	R	Wind	1.5	20.0	23.3	2	0.750	8.000	10.500	0.625	
F_SW	D	4	L	Seismic	0.9	12.4	14.5	2	0.750	8.000	10.500	0.625	
				Wind	1.5	20.0	23.3						
				Seismic	0.9	12.4	14.5						



FRAME LINES: 1 2 3 4



RICID FRAME: MAXIMUM REACTIONS, ANCHOR BOLTS, & BASE PLATES

Frm Line	Col Line	Load	Column Reaction(s)			Wind	Y	V	Y	Y	Qty	Dis	Base Plate(s)	Thick	Grid (ft)
			M	H	V										
1*	A	5	1.6	2.1	5	-1.8	-1.2	4	0.750	8.000	8.000	0.500	0.0		
1*	D	6	1.8	-1.7	2	-1.4	2.1	4	0.750	8.000	8.000	0.625	0.0		
1*	D	4	-1.8	11.2	8	-0.4	-15.5								

Frame Brac: 1 4

RICID FRAME: MAXIMUM REACTIONS, ANCHOR BOLTS, & BASE PLATES

Frm Line	Col Line	Load	Column Reaction(s)			Wind	Y	V	Y	Y	Qty	Dis	Base Plate(s)	Thick	Grid (ft)
			M	H	V										
2*	A	5	2.6	3.5	5	-2.5	-2.5	4	0.750	8.000	11.00	0.500	0.0		
2*	D	6	3.1	-2.5	2	-2.5	3.5	4	0.750	8.000	11.00	0.625	0.0		
2*	D	9	-1.9	12.8	8	-0.7	-15.5								

Frame Brac: 2 3

RICID FRAME: BASIC COLUMN REACTIONS (k)

Frm Line	Col Line	Wind Dir	Dead	Vert	Seismic	Wind	Y	V	Y	Y	Qty	Dis	Base Plate(s)	Thick	Grid (ft)
1*	A	0.2	0.8	0.1	0.2	-1.0	3.2	0.5	0.9	-3.0	-3.4	0.0	-3.2		
1*	D	-0.2	0.8	-0.1	0.2	-1.0	3.2	-0.5	0.9	-0.8	-5.2	3.0	-5.2		
1*	D	-0.6	-1.6	3.1	-3.8	0.0	-23.0	-0.4	-23.4	-0.1	0.1	0.1	-0.1		
1*	A	0.0	-1.1	0.4	1.2	0.2	0.8	0.2	0.5						
1*	D	0.0	-12.4	-0.4	1.2	-0.2	0.5	-0.2	0.8						
2*	A	0.4	1.4	0.2	0.5	1.8	3.4	1.8	1.9	-5.1	-6.1	1.8	-5.1		
2*	D	-0.4	1.4	-0.2	0.5	-1.8	3.4	-1.8	1.9	-1.6	-5.5	1.8	-5.1		
2*	A	-0.4	-1.9	3.5	-5.8	0.1	-26.8	-0.7	-27.4	-0.2	0.2	0.2	-0.2		
2*	D	0.0	-1.1	0.8	2.7	0.5	1.9	0.5	1.1						
2*	D	0.0	-12.4	-0.8	3.7	-0.5	1.1	-0.5	1.8						

Frame Brac: 1 4

Frame Brac: 2 3

ENDWALL COLUMN: BASIC COLUMN REACTIONS (k)

Frm Line	Col Line	Dead	Wind	Wind	Wind
1	B	0.1	-2.3	2.3	
1	C	0.1	-2.3	2.3	
4	B	0.1	-2.3	2.3	
4	B	0.1	-2.3	2.3	

ENDWALL COLUMN: MAXIMUM REACTIONS, ANCHOR BOLTS, & BASE PLATES

Frm Line	Col Line	Load	Column Reaction(s)			Wind	Y	V	Y	Y	Qty	Dis	Base Plate(s)	Thick	Grid (ft)
			M	H	V										
1	B	10	1.5	0.0	11	-1.4	0.0	2	0.825	4.000	10.00	0.250	0.0		
1	C	10	1.5	0.0	11	-1.4	0.0	2	0.825	4.000	10.00	0.250	0.0		
4	C	10	1.5	0.0	11	-1.4	0.0	2	0.825	4.000	10.00	0.250	0.0		
4	B	10	1.5	0.0	11	-1.4	0.0	2	0.825	4.000	10.00	0.250	0.0		

ANCHOR BOLT SUMMARY

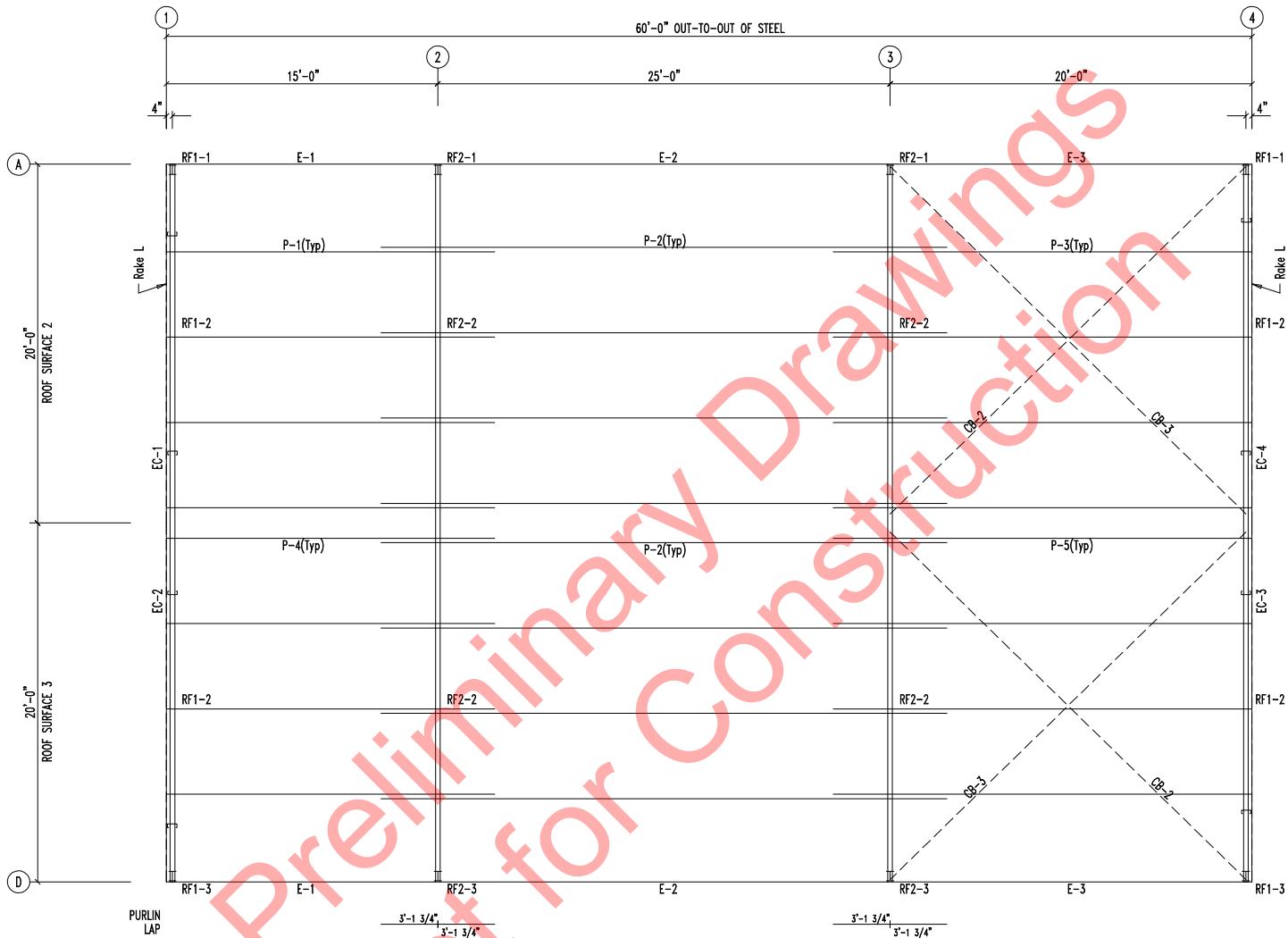
Qty	Loc	Size	Type	Prod
8	Jamb	5/8"	A307	2.50
8	Endwall	5/8"	A307	2.50
32	Frame	3/4"	A307	3.00
4	WindCol	3/4"	A307	3.00

DESCRIPTION: ANCHOR BOLT REACTIONS

CUSTOMER: CITY OF ALEXANDER CITY **PROJECT:** ALEXANDER CITY FIRE DEPT

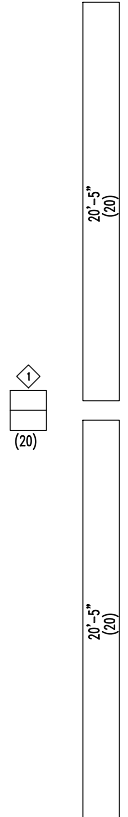
LOCATION: ALEXANDER CITY AL 35010

DRN. BY	CK'D BY	DATE	SCALE	REV.	QUOTATION NO.	SHEET NO.
PH	PH	2/14/23	N.T.S.	00	PH20-409AL-1	18A3 OF AB3



ROOF FRAMING PLAN


TRIM TABLE		
ROOF PLAN		
ID	MARK	DETAIL
1	SSRC	TRIM_320



ROOF SHEETING

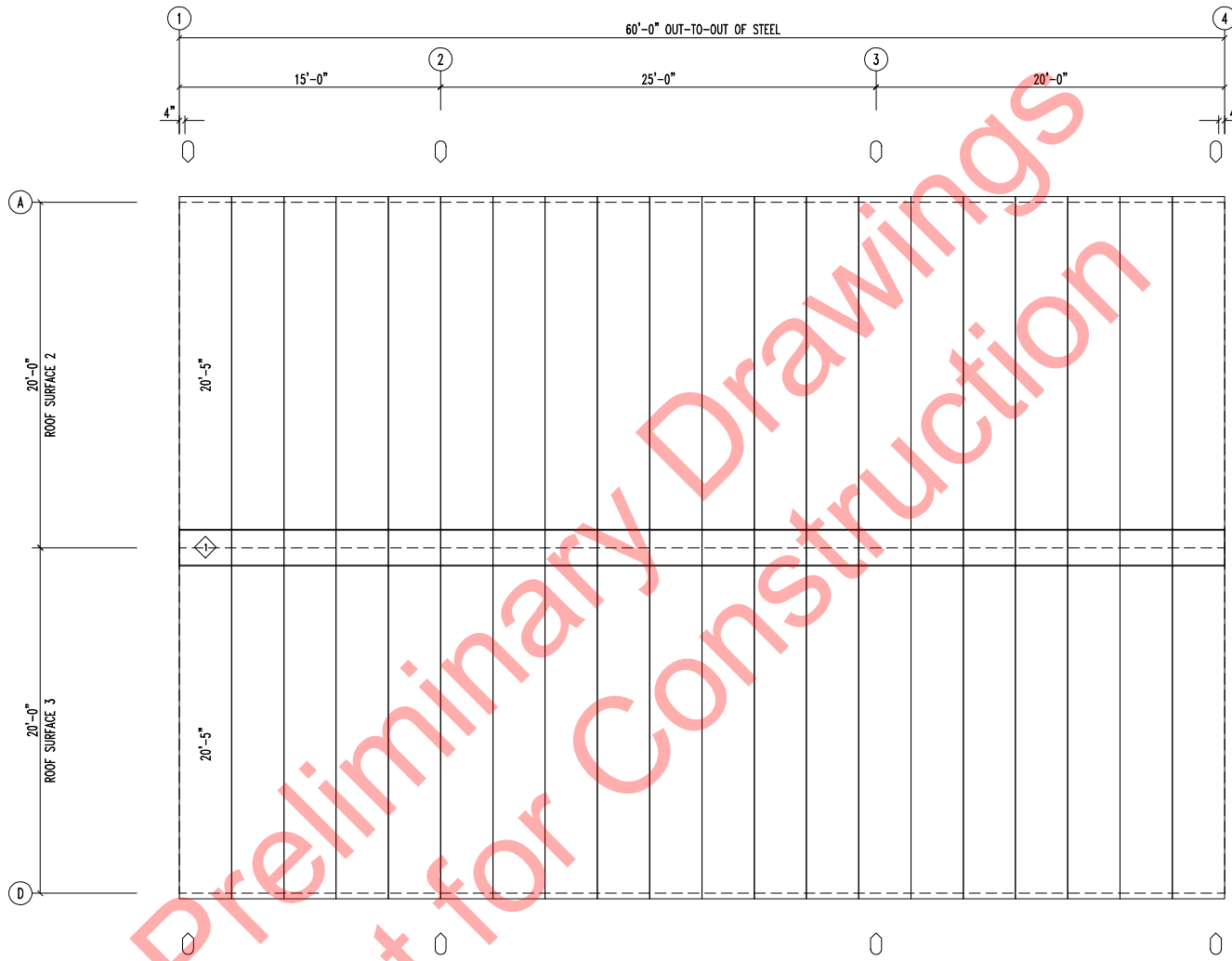
PANELS: 26 Ga. HIGH RIB PBR Galvalume Plus

Preliminary Drawings
Not for Construction

 Alabama Steel Supply, Inc. <small>2 West Blvd Montgomery, AL 36108 (354) 854-1906 (354) 854-7777 (Fax)</small>	DESCRIPTION: ROOF FRAMING		CUSTOMER: CITY OF ALEXANDER CITY		PROJECT: ALEXANDER CITY FIRE DEPT	
	LOCATION: ALEXANDER CITY AL 35010		DRN. BY	CK'D BY	DATE	SCALE
	PH	PH	2/14/23	N.T.S.	REV. 00	QUOTATION NO. PH20-409AL-R1E1
						SHEET NO. OF E8

○ DOWNSPOUT LOCATIONS


TRIM TABLE		
ROOF PLAN		
◇ ID	MARK	DETAIL
1	SSRC	TRIM_320



Preliminary Drawings
Not for Construction

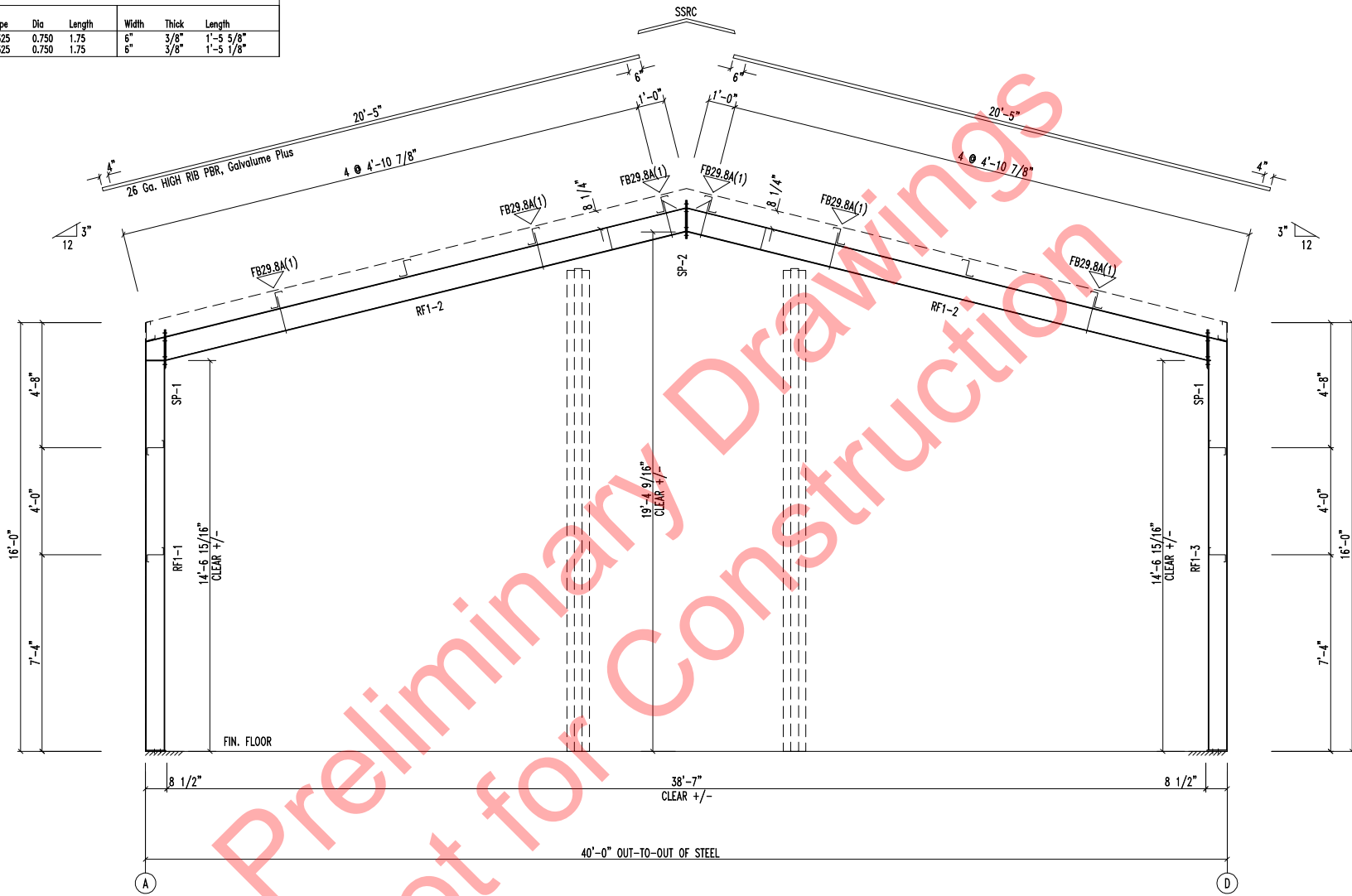
ROOF SHEETING PLAN

PANELS: 26 Ga. HIGH RIB PBR - Galvalume Plus

 Alabama Steel Supply, Inc. <small>2 West Blvd Montgomery, AL 36108 (334) 854-1906 (334) 854-7777 (Fax)</small>	DESCRIPTION: ROOF SHEETING	
	CUSTOMER: CITY OF ALEXANDER CITY	PROJECT: ALEXANDER CITY FIRE DEPT
	LOCATION: ALEXANDER CITY AL 35010	
	DRN. BY PH	CK'D BY PH
SCALE N.T.S.	REV. 00	QUOTATION NO. PH20-409AL-R1E2
		SHEET NO. OF E8

SPUCE PLATE & BOLT TABLE									
Mark	Qty		Int	Type	Dia	Length	Width	Thick	Length
	Top	Bot							
SP-1	4	4	0	A325	0.750	1.75	6"	3/8"	1'-5 5/8"
SP-2	4	4	0	A325	0.750	1.75	6"	3/8"	1'-5 1/8"

FLANGE BRACES: FBxx (1 or 2)
 xx=length(in)
 (1) One Side; (2) Two Sides
 A - L2x2x1/4

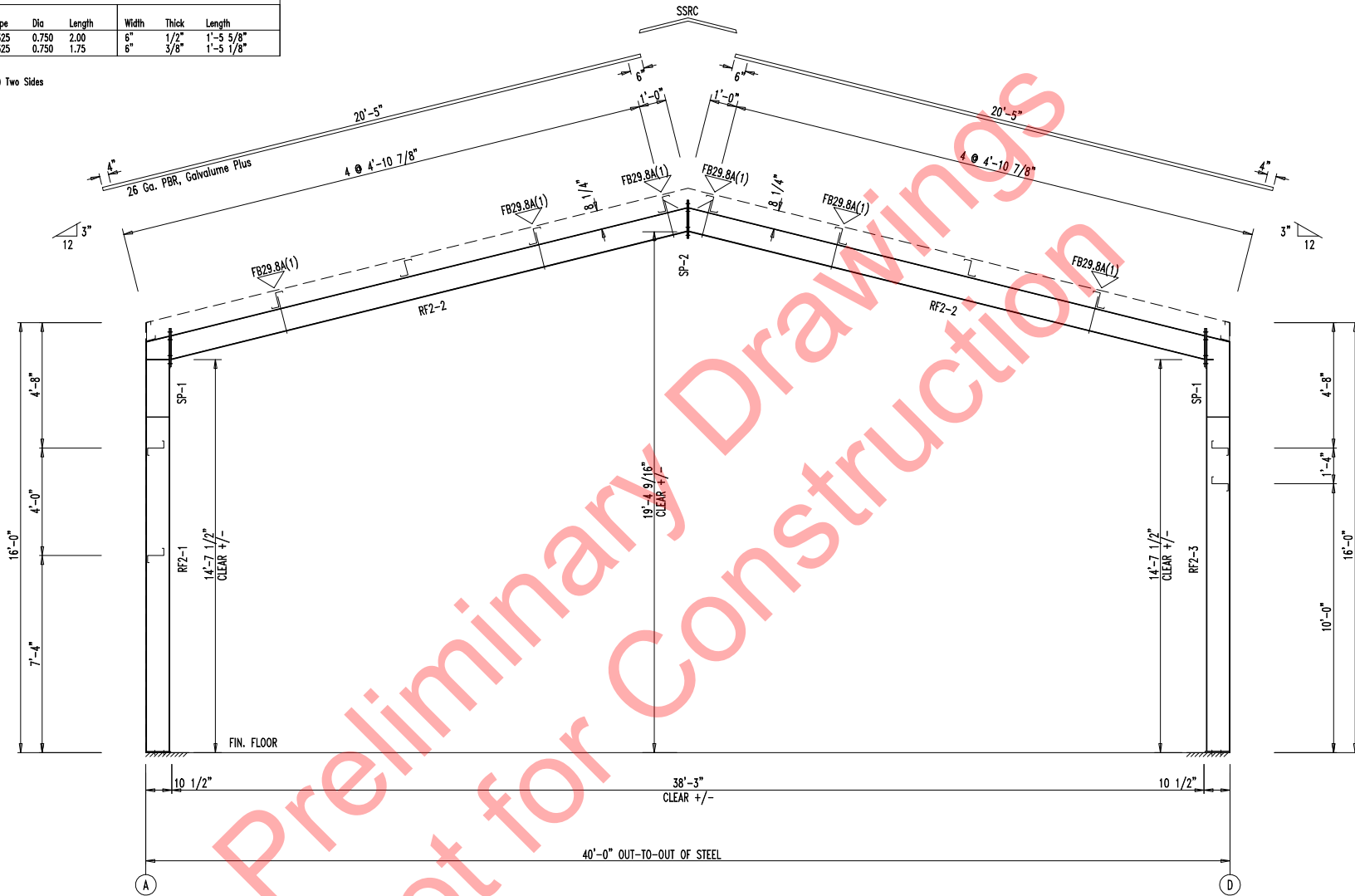


RIGID FRAME ELEVATION: FRAME LINE 1 4

<p>Alabama Steel Supply, Inc. 2 West Blvd Montgomery, AL 36108 (354) 854-1906 (354) 854-7777 (Fax)</p>	DESCRIPTION: RIGID FRAME ELEVATION	
	CUSTOMER: CITY OF ALEXANDER CITY	PROJECT: ALEXANDER CITY FIRE DEPT
	LOCATION: ALEXANDER CITY AL 35010	
	DRN. BY: PH	CK'D BY: PH
	SCALE: N.T.S.	REV. 00
	QUOTATION NO. PH20-409AL-R1E3	SHEET NO. OF E8

SPLICE PLATE & BOLT TABLE									
Mark	Qty		Int	Type	Dia	Length	Width	Thick	Length
	Top	Bot							
SP-1	4	4	0	A325	0.750	2.00	6"	1/2"	1'-5 5/8"
SP-2	4	4	0	A325	0.750	1.75	6"	3/8"	1'-5 1/8"

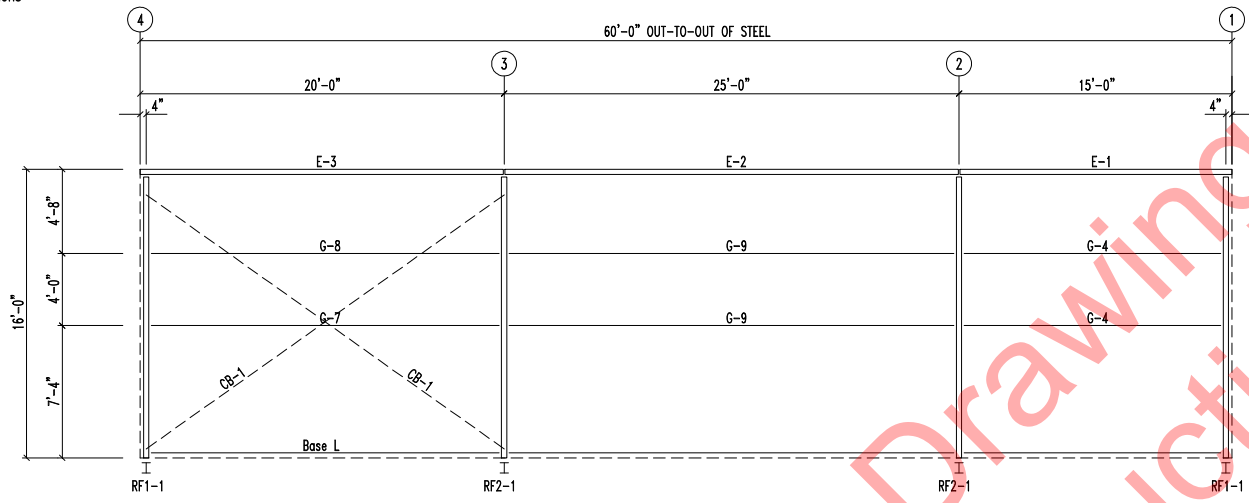
FLANGE BRACES: (1) One Side; (2) Two Sides
 FBxxA(1): xx=length(in)
 A - L2x2x146



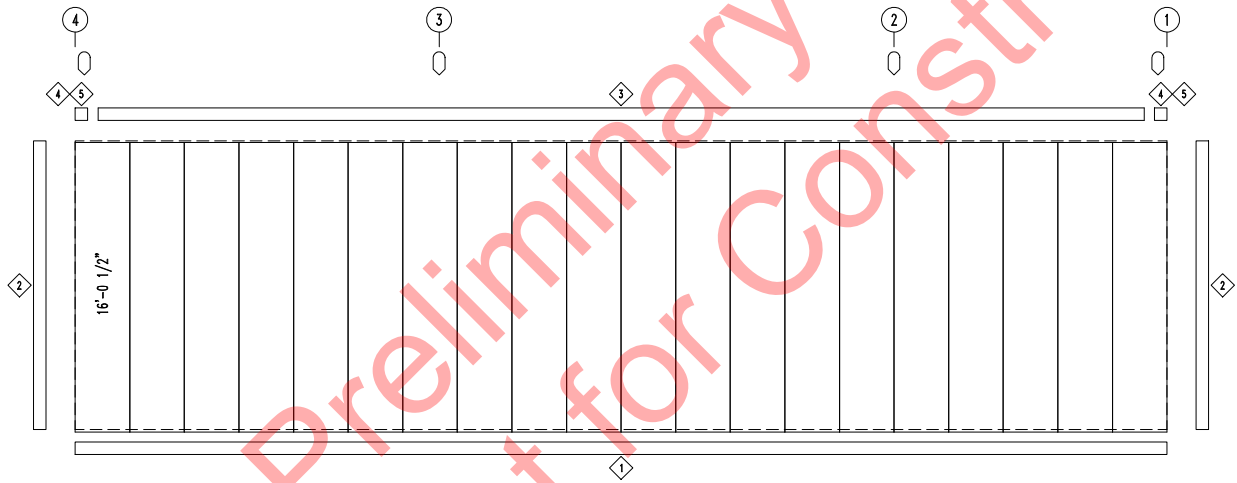
RIGID FRAME ELEVATION: FRAME LINE 2 3

<p>Alabama Steel Supply, Inc. 2 West Blvd Montgomery, AL 36108 (354) 854-1906 (354) 854-7777 (Fax)</p>	DESCRIPTION: RIGID FRAME ELEVATION	
	CUSTOMER: CITY OF ALEXANDER CITY	PROJECT: ALEXANDER CITY FIRE DEPT
	LOCATION: ALEXANDER CITY AL 35010	
	DRN. BY: PH	CK'D BY: PH
	SCALE: N.T.S.	REV. 00
	QUOTATION NO. PH20-409AL-R1E4	SHEET NO. OF E8

○ DOWNSPOUT LOCATIONS



SIDEWALL FRAMING: FRAME LINE A




SIDEWALL SHEETING & TRIM: FRAME LINE A

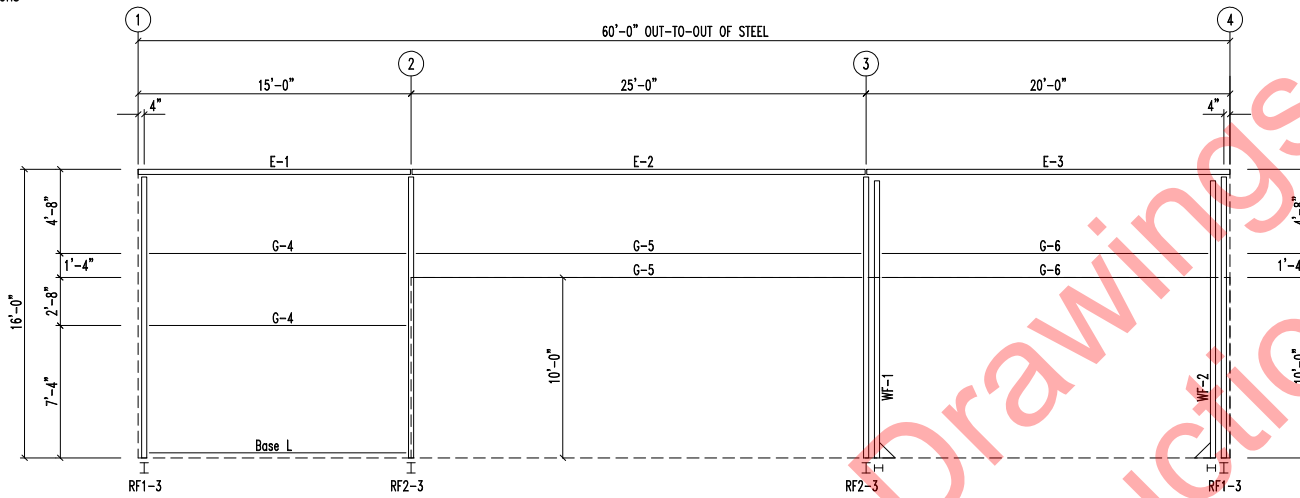
PANELS: 26 Ga. HIGH RIB PBR - Need Sill Poly Color

TRIM TABLE		
FRAME LINE A		
ID	MARK	DETAIL
1	BT-101	TRIM_74
2	CT-102	TRIM_323
3	GU-123	
4	EC-123	
5	SCB	

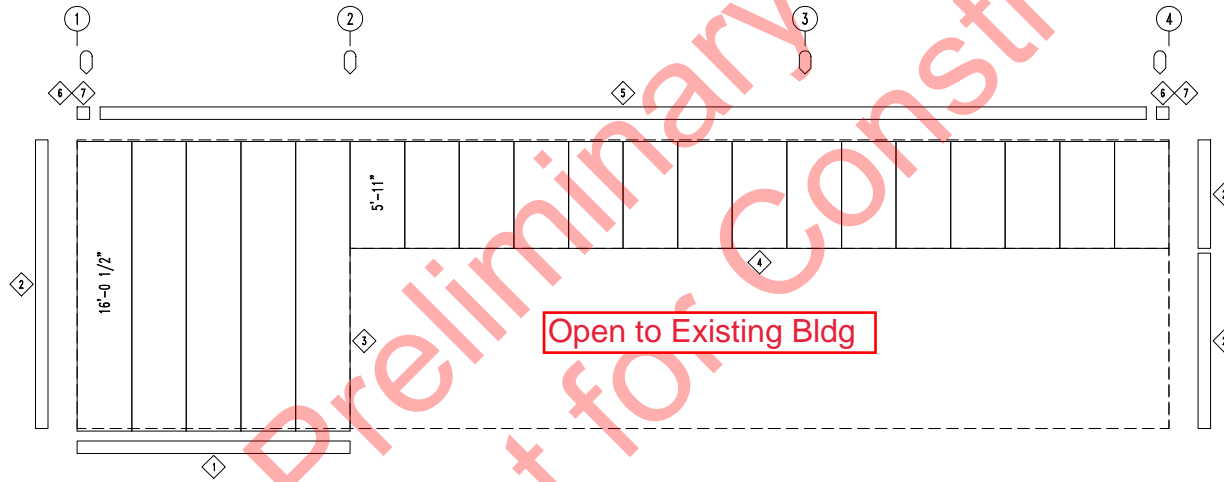
Preliminary Drawings
Not for Construction

 Alabama Steel Supply, Inc. <small>2 West Blvd Montgomery, AL 36108 (334) 834-1906 (334) 834-7777 (Fax)</small>	DESCRIPTION: SIDEWALL FRAMING	
	CUSTOMER: CITY OF ALEXANDER CITY	PROJECT: ALEXANDER CITY FIRE DEPT
	LOCATION: ALEXANDER CITY AL 35010	
	DRN. BY: PH	CK'D BY: PH
	SCALE: N.T.S.	REV. 00
	QUOTATION NO. PH20-409AL-R1E5	SHEET NO. OF E8

⓪ DOWNSPOUT LOCATIONS



SIDEWALL FRAMING: FRAME LINE D



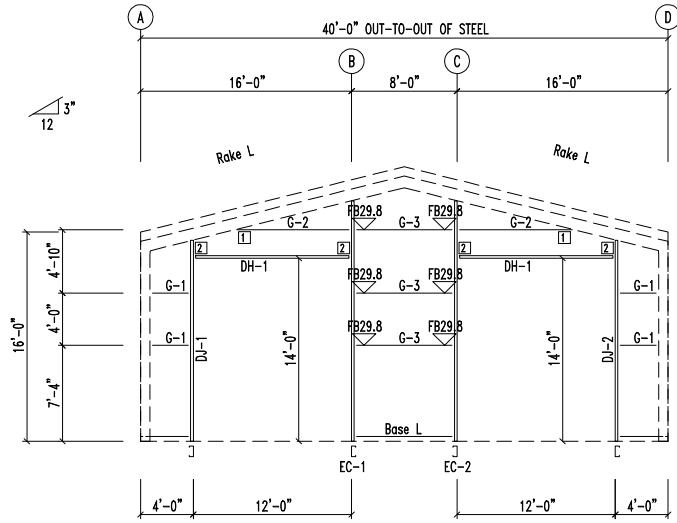
SIDEWALL SHEETING & TRIM: FRAME LINE D

PANELS: 26 Ga. HIGH RIB PBR - Need Sill Poly Color

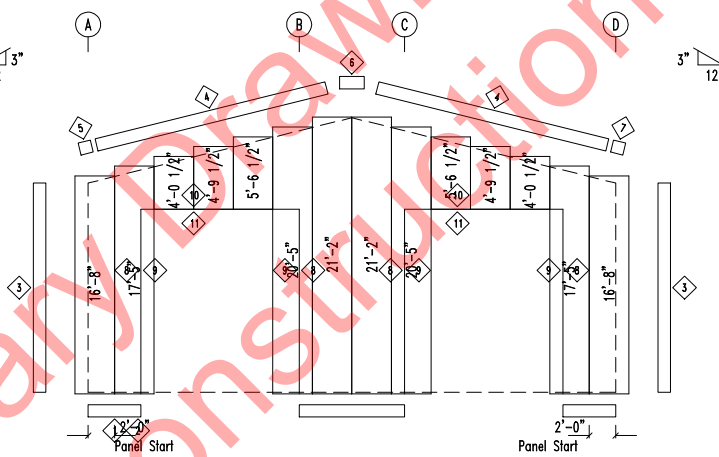
BOLT TABLE FRAME LINE D				
LOCATION	QUAN	TYPE	DIA	LENGTH
WF-1 - RF2-3	10	A325	5/8"	1 3/4"
WF-2 - RF1-3	10	A325	5/8"	1 3/4"

TRIM TABLE FRAME LINE D		
ID	MARK	DETAIL
1	BT-101	TRIM_74
2	CT-102	TRIM_323
3	FL-26	TRIM_239
4	BT-101	TRIM_71
5	GU-123	
6	EC-123	
7	SCB	

<p>Alabama Steel Supply, Inc. 2 West Blvd Montgomery, AL 36108 (334) 834-1906 (334) 834-7777 (Fax)</p>	DESCRIPTION: SIDEWALL FRAMING					
	CUSTOMER: CITY OF ALEXANDER CITY	PROJECT: ALEXANDER CITY FIRE DEPT				
	LOCATION: ALEXANDER CITY AL 35010					
	DRN. BY: PH	CK'D BY: PH	DATE: 2/14/23	SCALE: N.T.S.	REV. 00	QUOTATION NO. PH20-409AL-R1E6



ENDWALL FRAMING: FRAME LINE 1



ENDWALL SHEETING & TRIM: FRAME LINE 1

PANELS: 26 Ga. HIGH RIB PBR - Need Sill Poly Color

BOLT TABLE FRAME LINE 1				
LOCATION	QUAN	TYPE	DIA	LENGTH
Columns/Raf	2	A325	1/2"	1 1/2"
Jamb	2	A325	1/2"	1 1/4"

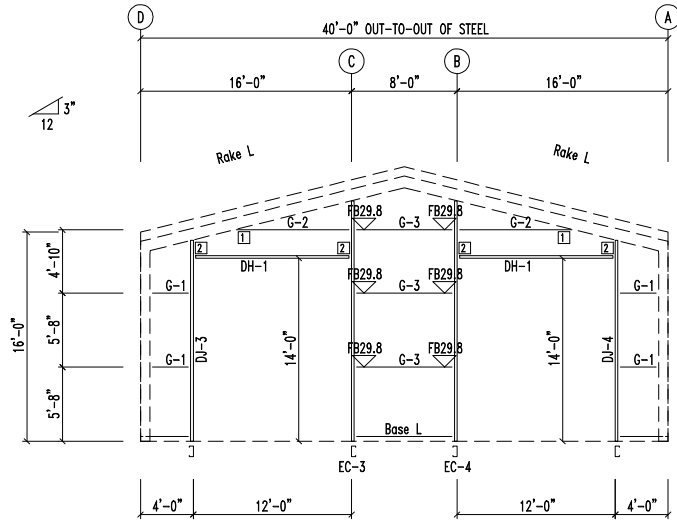
TRIM TABLE FRAME LINE 1		
ID	MARK	DETAIL
1	BT-101	TRIM_74
2	BT-101	TRIM_74
3	CT-102	TRIM_323
4	RT-101	TRIM_229
5	SRECL	
6	SPB3	
7	SRECR	
8	MT-116	TRIM_242
9	FL-26	TRIM_239
10	MT-116	TRIM_235
11	FL-26	TRIM_232

FLANGE BRACE TABLE FRAME LINE 1		
ID	MARK	LENGTH
1	FB29.8	2'-5 3/4"

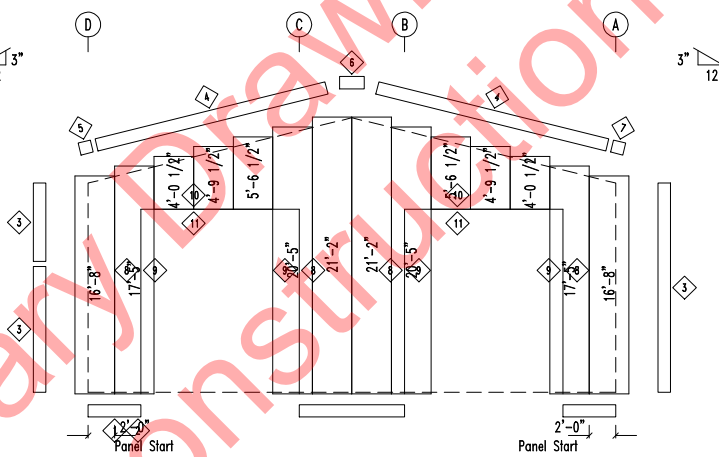
CONNECTION PLATES FRAME LINE 1		
ID	MARK/PART	
1	b1	
2	GC-5	

Preliminary Drawings
Not for Construction

<p>Alabama Steel Supply, Inc. 2 West Blvd Montgomery, AL 36108 (354) 854-1906 (354) 854-7777 (Fax)</p>	DESCRIPTION: ENDWALL FRAMING					
	CUSTOMER: CITY OF ALEXANDER CITY	PROJECT: ALEXANDER CITY FIRE DEPT				
	LOCATION: ALEXANDER CITY AL 35010					
	DRN. BY: PH	CK'D BY: PH	DATE: 2/14/23	SCALE: N.T.S.	REV.: 00	QUOTATION NO.: PH20-409AL-R1E7



ENDWALL FRAMING: FRAME LINE 4



ENDWALL SHEETING & TRIM: FRAME LINE 4

PANELS: 26 Ga. HIGH RIB PBR - Need Sill Poly Color

BOLT TABLE FRAME LINE 4				
LOCATION	QUAN	TYPE	DIA	LENGTH
Columns/Raf	2	A325	1/2"	1 1/2"
Jamb	2	A325	1/2"	1 1/4"

TRIM TABLE FRAME LINE 4		
ID	MARK	DETAIL
1	BT-101	TRIM_74
2	BT-101	TRIM_74
3	CT-102	TRIM_323
4	RT-101	TRIM_229
5	SRECL	
6	SPB3	
7	SRECR	
8	MT-116	TRIM_242
9	FL-26	TRIM_239
10	MT-116	TRIM_235
11	FL-26	TRIM_232

FLANGE BRACE TABLE FRAME LINE 4		
ID	MARK	LENGTH
1	FB29.8	2'-5 3/4"

CONNECTION PLATES FRAME LINE 4		
ID	MARK/PART	
1	b1	
2	GC-5	

Preliminary Drawings
Not for Construction

 2 West Blvd Montgomery, AL 36108 (334) 854-1906 (334) 854-7777 (Fax)	DESCRIPTION: ENDWALL FRAMING					
	CUSTOMER: CITY OF ALEXANDER CITY	PROJECT: ALEXANDER CITY FIRE DEPT				
	LOCATION: ALEXANDER CITY AL 35010					
	DRN. BY: PH	CK'D BY: PH	DATE: 2/14/23	SCALE: N.T.S.	REV.: 00	QUOTATION NO.: PH20-409AL-R1E8